

19 Wing Comox

5950-1 (19WCYC-Vice-Comdre)

5 May 22

Distribution List

**MINUTES OF THE 19 WING COMOX
YACHT CLUB EXECUTIVE COMMITTEE MEETING
HELD AT THE CLUBHOUSE 1600 HRS 4 MAY 2022**

Chair: LCol Fil Bohac Commodore Elected
Secretary: Capt John Cloke Vice-Commodore Elected

Present:

Maj Kevin Stevens	Dinghy Captain	Elected
Maj Brent Banadyga	Foreshore Officer	Elected
MCpl Shannon Green	Treasurer	Elected
Marcel Rivest	Training Officer	Elected
Roch Massicotte	Keelboat Captain	Elected
Graham Edwards	Paddle Sports Captain	Elected
Steve Bunyan	Asst Bar Manager	Appointed

Absent:

MCpl Derrick Mondry	Secretary	Elected
Tim Williams	Membership Officer	Elected
James Hollis	Rear Commodore/ Comms O	Elected Appointed

Introductory Remarks:

The meeting was called to order at 1605 hrs. A quorum was present.

ITEM	DISCUSSION	ACTION BY	STATUS
1	INTRODUCTORY REMARKS		
	The Commodore made some general opening remarks.	Commodore	
2	TREASURER'S REPORT		
	a. See Annex A. Initially we were showing a budget total of \$335.22 but this has increased due to the addition of interest from club savings in the amount of \$5344.68 that was not forecasted in the budget. We are currently showing a Year to Date amount of \$5322.96.	Treasurer	

	<p>b. Some discussion around how much club savings we should be accruing. Shannon to reach out to PSP to inquire.</p> <p>Discussed how PSP insurance works. Noted that there is a \$5000 deductible on yacht claims. Roch to inquire to see what we carry and should carry with respect to boat insurance.</p>		<p>Shannon to action</p> <p>Roch to action</p>
3	DIVISION REPORTS		
	<p>a. <u>Communications</u> –</p> <p>a. See Annex B. James was absent.</p> <p>b. Advertising – Some advertising ideas discussed: reaching out to the wing PAO (Fil), posting on the Bulletin Board at main wing entrance (thru Sgt Simser), Legions, MFRC, PSP/Comox PSP Facebook page.</p> <p>c. Bookings System – no update.</p> <p>d. Facebook Page and Group was discussed. Roch/James to sort out admin access and further admins will be added to facilitate use of page and maintenance of access to group.</p> <p>e. BBQ Purchase – Motion by Graham, seconded by Roch to spend up to \$5000 as per the submitted CER on one of the BBQs as quoted and presented by James. CARRIED</p>	Rear Commodore	<p>Fil to follow up with James</p> <p>Table</p> <p>James to purchase</p>
	<p>b. <u>Dinghy Sailboat</u> -</p> <p>a. The new storage shed has been put in place on the docks and a plan has been drawn up showing where each item will be stored. Once the storage items are moved into the new shed, the old one will be moved to the Clubhouse patio area to be used for storage of the new BBQ that is being purchased.</p> <p>b. The 420s are mostly ready for use. Some minor fiberglass repair is needed and there are a few other small requirements. The need to better secure the boats in place was discussed.</p>	Dinghy Captain	
	<p>c. <u>Foreshore</u> –</p> <p>a. The reciprocal agreement with Comox Valley Yacht Club has been signed costing approx \$2400.</p> <p>b. We are looking at adding extra piles on the small sail dock to add much needed extra dock space. Kevin/RPOps is investigating and will follow up.</p> <p>c. A survey is need to capture club information. Brent to take over this task with each division sending him possible survey questions.</p>	Foreshore	<p>Kevin to action</p> <p>Brent to action</p>

	<ul style="list-style-type: none"> d. The power supply on the end of J float is not working. Brent to investigate and raise a trouble ticket with RPOps. e. The state of some of the club member's boats was discussed. Brent is going to draft a message to be sent to members, adding a requirement for an annual safety inspection to comply with CG regulations, and general boat upkeep/maintenance. f. A list of members who have keel boats on the docks is needed. Tim has been developing a new database and the intent is for this list to be included. 		<p>Brent to action</p> <p>Brent to action</p> <p>Tim to develop list.</p>
	<ul style="list-style-type: none"> d. <u>Paddle Sports</u> – <ul style="list-style-type: none"> a. Two new Standup Paddle Boards have been purchased and are going on our DA. b. Quiet from a trg perspective but some upcoming training for groups: Soldier On event has been cancelled (was on May 7) due to a new coordinator not having conducted adequate pre-planning. c. Bought some new kayak hatches. 	<p>Paddle Sports Captain</p>	
	<ul style="list-style-type: none"> e. <u>Keelboat</u> – <ul style="list-style-type: none"> a. Purchased 12 new fenders. b. Bottom paint due this year for Against the Wind planned to occur on Texada Island, notionally in late June. c. Discussed placing new mooring balls in the harbor or at a nearby location. Brent to add this to the survey. d. Replacement wheel for boat cart needed. Will use \$500 from foreshore budget for a new cart. e. ROC/PCOC Qualification Challenge – Charles to come to the Open House to allow members to challenge these quals. f. Plan to give away old BBQs at the open house or dispose of them after. g. Our old safety boat is u/s. Motion by Graham, seconded by Marcel to purchase a new safety boat for a cost not to exceed \$3000. CARRIED. h. Peter Duck's engine inspection to be done at the end of the season. 	<p>Keelboat Captain</p>	<p>Brent to add to survey</p> <p>Marcel to purchase new safety boat</p>

	<p>f. <u>Membership</u> –</p> <p>a. Membership Officer absent. No report.</p>	<p>Membership Officer</p>	
	<p>g. <u>Rear Commodore</u> –</p> <p>a. Rear-Commodore absent. See Report and comments under communication officer heading.</p> <p>b. Exec decided that charging individual users for propane is more effort than is justified. Propane will no longer be charged to individual users. Furthermore, Kevin/RPOps will investigate the procurement/installation of a large (100lb or more) tank that can be filled annually or less.</p>	<p>Rear Commodore</p>	
	<p>h. <u>Training</u> –</p> <p>a. 3 crews have booked their on water exam. Ian (examiner) has asked for 6 hours per exam. Training is going well.</p> <p>b. Looking at organizing/centralizing/standardizing safety equipment on the boats in one place to make the exam process easier.</p>	<p>Trg Officer</p>	
	<p>i. <u>Bar</u> –</p> <p>a. Rangers were in last week bringing in apx \$400.</p> <p>b. RCMSAR is coming in for a couple dates</p> <p>c. No bar service will take place on family days.</p> <p>d. 21 Health Services using bar in Jun when Ben is back.</p>	<p>Bar Manager</p>	

4	OLD BUSINESS		
	<p>a. <u>Open House</u> – pushing this activity until 28 Aug 22, the day after REXPO. Invitation portion of open house cancelled with some potential low key social event possible, TBD. Kevin/John to coordinate Aug event.</p> <p>b. <u>Reciprocals Survey</u> – no progress due to the Vice-Commodore being overtasked. Foreshore has agreed to take this on as discussed above.</p> <p>c. <u>AGM Financials</u> – Bylaws/Constitution have come back for edits and are back with the WComd/Staff for signature.</p> <p>d. <u>Clubhouse Storage</u> – no progress, likely a good end-season activity.</p>	<p>Cmdre</p> <p>Vice-Commodore</p>	<p>Planning tabled.</p> <p>Foreshore to action</p> <p>Tabled</p>
5	NEW BUSINESS		
	a. <u>Mooring Balls</u> – previously discussed.	Cmdre	
6	OPEN DISCUSSION		
	Nil.		
7	CLOSING REMARKS		
	Nil		
8	NEXT MEETING		
	Wed 22 Jun at 1600 hrs.	Cmdre	

9	ADJOURNMENT		
	Meeting adjourned at 1810 hrs.		

J. Cloke
 Capt
 Vice-Commodore
 250-818-9364

F. Bohac
 LCol
 Commodore
 250-218-1973

RECOMMENDED/NOT
 RECOMMENDED

APPROVED/ NOT APPROVED

K. Elmore
 Mgr. FS&R
 8542

A.C. Moorhead
 Snr Mgr. PSP
 8246

Enclosures:

- Meeting Agenda – 6 Apr 22

Distribution List:

Action
 Rec Coordinator

Info:
 DWComd
 Sr Mgr. PSP
 NPF Accounting Manager
 Comms O for Website

Annex A – Financial Report

Points of note:

Unencumbered cash balance is \$186,352
 For the FY the net income was \$5022.96
 Interest on money in the bank accounted to \$5344.68

The budgeted depreciation for last FY was \$2695.22 when in reality it was \$19860.56 and Rental expenses was budgeted at \$0 and actual was \$3219.88. This was corrected in this years budget.

If you have any questions I will do my best to answer them and if I cannot then I will reach out to NPF/PSP.

Balance Sheet:

Ledger Name	Fiscal Year	Fiscal Period	Currency
CFNA_PL	2022	MAR21-22	Ledger Currency
Cat Desc (Entity)	Outlet Description	Account Description	Sub Account Description
YACHT-COMOX-SAILING	None	None	None
Profit Centre Description			
None			
Cat Desc (Entity) is equal to YACHT-COMOX-SAILING			
Balance Sheet			
	MAR21-22		
PC/IMPREST	500.00		
BANK ACCOUNT (OVERDRAFT)	186,445.00		
INVENTORY	1,818.13		
PRE PAID EXPENSE			
CURRENT ASSETS	188,763.13		
WORK IN PROGRESS			
FIXED ASSETS	60,262.29		
OTHER ASSETS	60,262.29		
TOTAL ASSETS	249,025.42		
ACCRUED LIABILITIES	93.00		
UNEARNED REVENUE			
CURRENT LIABILITIES	93.00		
TOTAL LIABILITIES	93.00		
RETAINED EARNINGS	243,909.46		
+ NET INCOME / - LOSS FOR THE YEAR	5,022.96		
RETAINED EARNINGS	248,932.42		
TOTAL EQUITY	248,932.42		
TOTAL LIABILITY+EQUITY	249,025.42		
Unencumbered Cash	186,352.00		

Income Statement:

Ledger Name	Fiscal Year	Fiscal Period	Currency				
CFNA_PL	2022	MAR21-22	CAD				
Cat Desc (Entity)	Outlet	Account	Sub Account				
YACHT-COMOX-SAILING	None	None	None				
Profit Centre Description	Budget						
None	FY/AF 21/22						
Cat Desc (Entity) is equal to YACHT-COMOX-SAILING							
	MAR21-22						
	Actual Month	Budget Month	Actual PY Month	Actual YTD	Budget YTD	Actual PY YTD	Budget Total Year
SALES - CONSUMER	665.04	0.00	0.00	5,475.23	0.00	0.00	0.00
SALES	665.04	0.00	0.00	5,475.23	0.00	0.00	0.00
COGS	399.82	0.00	0.00	3,022.04	0.00	0.00	0.00
GROSS PROFIT	265.22	0.00	0.00	2,453.19	0.00	0.00	0.00
ENTERTAINMENT REV	0.00	0.00	0.00	0.00	0.00	0.00	0.00
FEES REV	96.03	0.00	9.28	242.01	0.00	136.45	0.00
MEMBERSHIPS	1,047.54	0.00	1,536.89	11,551.88	1,400.00	8,495.14	1,400.00
INTEREST/INVESTMENTS REV	5,344.68	0.00	4,669.97	5,344.68	0.00	4,669.97	0.00
PROGRAMS REV	0.00	0.00	0.00	4,087.08	6,600.00	447.62	6,600.00
RENTAL REV	545.66	0.00	586.25	11,671.31	4,000.00	7,695.27	4,000.00
SERVICES REV	0.00	0.00	0.00	5,167.55	0.00	4,230.39	0.00
SUPPLIES REV	0.00	0.00	0.00	215.78	0.00	138.39	0.00
MISC REV	0.00	0.00	0.00	0.00	0.00	0.00	0.00
OTHER REVENUE	7,033.91	0.00	6,802.39	38,280.29	12,000.00	25,813.23	12,000.00
DEPRECIATION	1,655.56	0.00	1,712.36	19,860.56	2,695.22	20,387.23	2,695.22
ENTERTAINMENT EXP	0.00	0.00	0.00	484.06	0.00	0.00	0.00
FEES EXP	0.00	0.00	0.00	250.00	500.00	250.00	500.00
IMIT PURCHASES EXP	0.00	0.00	0.00	0.00	100.00	0.00	100.00
INTEREST/INVESTMENTS EXP	0.00	0.00	0.00	0.00	0.00	0.00	0.00
OTHER EXP	-0.02	0.00	0.00	-19.03	0.00	0.00	0.00
PROFIT SHARING/DISTRIBUTION	166	0.00	0.00	13.68	0.00	0.00	0.00
PROGRAMS EXP	0.00	0.00	0.00	0.00	3,260.00	2,505.53	3,260.00
RENTAL EXP	350.73	0.00	0.00	3,219.88	0.00	104.34	0.00
REPAIR/MAINTENANCE EXP	411.14	0.00	158.20	6,826.97	2,350.00	2,133.96	2,350.00
SERVICES EXP	35.00	0.00	0.00	2,046.84	300.00	2,008.69	300.00
SUPPLIES EXP	20.50	0.00	745.61	1,303.97	2,450.00	1,257.18	2,450.00
TELECOMMUNICATION EXP	111.97	0.00	108.86	1,331.98	180.00	1,319.06	180.00
TRAVEL EXP	0.00	0.00	0.00	0.00	300.00	0.00	300.00
UTILITIES EXP	36.36	0.00	-218.81	280.27	200.00	184.31	200.00
WAGES EXP	0.00	0.00	0.00	0.00	0.00	0.00	0.00
MISC EXP	0.00	0.00	0.00	111.34	0.00	59.58	0.00
EXTRAORDINARY EXP	0.00	0.00	0.00	0.00	0.00	0.00	0.00
OTHER EXPENSES	2,622.90	0.00	2,506.22	35,710.52	12,335.22	30,209.88	12,335.22
NET INCOME	4,676.23	0.00	4,296.17	5,022.96	-335.22	-4,396.65	-335.22

Annex B – Communications, Webmaster Report and Rear Commodore

Action item requiring Exec confirmation: Barbeque Purchase

I have obtained the requisite 3 quotes with the following results:

- Bargreen - \$4435.03
- Foundry - \$3459.63
- Russell Hendrix - \$4575.07

Full quotes attached, all of the above are GST and FOB 19 Wing inclusive.

Foundry is the lowest cost by a wide margin. A proven, legitimate vendor as they were my recommendation (and ultimate winner) of the supply of the two new Crown Verity barbeques that I bought for the Officers' Mess at the Wing.

Lead time advised by all vendors is approx. 7 weeks to our door, so soonest approval would be prudent.

Note that I specifically did not quote or recommend a normal "lid" for this unit. A 48" thick-gauge 304-SS commercial grill lid would be very heavy and its vertical profile would exceed the height avails in the proposed repurposed dock storage bin. Besides, the lid is more for baking, rather than grilling, all of which has no relevance to our use. (it also adds about \$800 to the cost).

Need a final approval, and if available, something formal regards the CER that was raised for the barbeque. The NPF office would likely get animated if we purchased without the crossing of all "t's".

A recommendation going forward for the barbeque is to start charging a token fee for propane for user groups. Presently, we have an unworkable policy of asking users to refill the propane bottles – major inconvenience if they've only used the barbeque for an hour. I foresee having 4 propane bottles on-hand, with two being used until empty (new barbeque needs two tanks) and also having two full tanks on-hand for a switch-out.

We probably should be on the mooch at the Wing for an external POL cage to keep the propane bottles (Kevin?).

Updates:

- 4-CRPG is holding an event 7 May 1900 – 2200 hrs
- Soldier-on is actually "off" for their 27 May daytime booking of the Club – removed from calendar
- Invitational? Need invites and details.
- Open House is on the calendar for Sunday 29 May 1000 – 1400 hrs
- 21 CFHS is holding an event 3 Jun 1100 – 1500 hrs
- 407 Sqn is holding an event 16 June 1000 – 1700 – a full-sqn event that will likely involve mod tentage in the parking lot.

Open House:

- Adverts on weekly mail-outs x2 so-far.
- I can get the FCC to create a splash-screen advert for their site which should go “up” by 15 May (2 weeks in-advance)
- I have no access to the BBS internal board for messages – other Execs on the DWAN needed for that
- Have-to decide what the Open House is going to entail:
 - We **will not** have the new barbeque by then, but could possibly press the derelict units into service (or just rent one)
 - Should we be doing a food service at all for this event? In the past I noted some food discounts from local vendors. My recommendation if we are going to do food is just to buy all from Costco (even with a 10 or 15% discount, Costco is still less expensive), and save goodwill requests for events more suited to the local stores.
 - What other activities are actually going to happen?

Facebook page:

- I still do not have admin access to that page – always the problem when individuals become motivated to create a media presence and then don’t pass-on access. I have no time to chase whomever might have admin access.

Online booking:


- No update

Annex C – BBQ Quotes

**19 Wing Yacht Club -
04/27/2022 Quote**



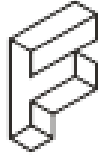
<p>PROJECT 19 Wing Yacht Club - 04/27/2022</p>	<p>FROM Bargreen Ellingson- Canada Beverly Van Gorkum 1040 Parker Street Vancouver, BC V6A 4B8 (778) 452-2430</p>	<p>Date: 04/27/2022 Job Reference #: 15777</p>
---	--	--

Item	Qty	Description	Sell	Sell Total
	1 ea	Charbroiler, Gas, Outdoor Grill Crown Verity Model No. CV-MCB-48WGP-LP Mobile Outdoor Charbroiler, LP gas, 46" x 21" grill area, 7 burners, 304 stainless steel construction, stainless steel grill, radiants, lighter tube (pilot), water pan, includes 30" wind guards, hose & regulator, undershelf, legs with (2) 14" wheels & (2)	3,966.69	3,966.69
	1 ea	1 Year parts & labor warranty standard		
	1 ea	Limited lifetime warranty on the body and the cooking grates, with a 10 year burner warranty		
	1 ea	LP gas, standard		
	1 ea	CV-RFS-48 Removable front shelf, for MCB-48, BI-48, PZ-36	257.15	257.15
			Merchandise	\$4,223.84
			Subtotal	4,223.84
			Tax 5%	211.19
			Total	\$4,435.03

CUSTOMER COMMITMENT: In foodservice, things don't always go as planned. When those things happen, Bargreen Ellingson is committed to make it right. Our staff is given the power to resolve your issue. If they cannot, or if you are not completely satisfied, we encourage you to call our President, David Ellingson, at (253) 234-1400. Thank you for the opportunity to serve you!

ENGAGEMENT CLIENT: En restauration, les choses ne se passent pas toujours comme prévu. Lorsque ces choses se produisent, Bargreen Ellingson s'engage à y remédier. Notre personnel a le pouvoir de résoudre votre problème. S'ils ne peuvent pas, ou si vous n'êtes pas entièrement satisfait, nous vous encourageons à appeler notre président, David Ellingson, au (253) 234-1400. Merci pour l'opportunité de vous servir!

Thank you for your business!



FOUNDRY
Commercial
Kitchens

Quote

04/29/2022

Buyer Billing:
Canadian Armed Forces
James B Hollis
CFB Comox, BC
250-339-8211 – 3503 (Contact)

Buyer Shipping:
19 Wing Comox Yacht Club Crowne
Verity

From:
Foundry Commercial Kitchens Inc.
Quentin Jay
1020 East Cordova Street
Vancouver, British Columbia
V6A 4A3
604-216-2566
2508129533 (Contact)

Job Reference Number: 27201

-- Due to current industry wide supply chain volatility and frequent manufacturer price increases - this quote is subject to change. Foundry reserves the right to modify pricing prior to acceptance of order. Note that our manufacturers are experiencing material and component shortages - longer lead times may be experienced --

Price includes freight to Comox.

Item	Qty	Description	Sell	Sell Total
1	1 ea	CHARBROILER, GAS, OUTDOOR GRILL Crown Verity Canada Model No. CV-MCB-48WGP-LP Mobile Outdoor Charbroiler, LP gas, 46" x 21" grill area, 7 burners, 304 stainless steel construction, stainless steel grill, radiants, lighter tube (pilot), water pan, includes 30" wind guards, hose & regulator, undershelf, legs with (2) 14" wheels & (2)	\$2,595.17	\$2,595.17
	1 ea	1 Year parts & labor warranty standard	\$134.02	\$134.02
	1 ea	Limited lifetime warranty on the body and the cooking grates, with a 10 year burner warranty	\$134.02	\$134.02
	1 ea	LP gas, standard	\$134.02	\$134.02
	1 ea	CV-RFS-48 Removable front shelf, for MCB-48, BI-48, P2-36	\$297.66	\$297.66
			ITEM TOTAL:	\$3,294.89

19 Wing Comox Yacht Club Crowne
Verity

Canadian Armed Forces

Initial: _____
Page 1 of 5

EconoLease
Think *Outside* the Bank

Lease-to-Own (Established):
 24-month term: \$168.93*
 36-month term: \$119.19*
 48-month term: \$94.50*
 60-month term: \$79.83*

Rental:
 52-week term: \$41.82

Get Pre-Approved Today:
econolease.com/AutoQuotes
 1-888-473-9309
info@econolease.com

Lease-to-Own (Start-up):
 24-month term: \$176.70*
 36-month term: \$127.42*

*Lease rates on approved credit.

LEASE. LOAN. RENT.

Merchandise	\$3,294.89
Tax 5%	\$164.74
Total	\$3,459.63

MOBILE GRILLS

MCB-30, 36, 48, 60, 72

Project: _____
 Item #: _____
 Quantity: _____



Shown with optional Roll Dome

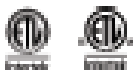
Our passion at Crown Verity is to bring the precision and performance of commercial kitchens to the outdoor environment. To that end we design and manufacture our grills to be reliable and go beyond traditional industry specifications.

Our grill bodies, legs, cooking grates, burners, under shelves, radiants, water pans, fasteners, pilot tubes are all 304 series stainless steel for durability and ease of cleaning. Compared to units made of metal or 430 stainless steel, our units are built to last.

16,000 BTUH stainless steel burners are placed every 6.75" to ensure the most even heat pattern possible. These units heat up to cooking temperature within 6 minutes. Our stainless steel burners and cooking grills carry a 10 year and lifetime warranty, respectively.

The MCB model is available as either liquid propane (LP) or natural gas (NG). All LP models include a two stage regulator(s) and hose(s) and a built-in tank holder(s) that accommodate standard 20 lb. propane tanks. Each model is also available with a single gas connection and 25' quick disconnect hose for use with remote tanks. All NG models come with a single gas connection and a 10' quick disconnect hose.

Certifications



SPECIFICATIONS

- Gas grill constructed of 304 stainless steel including grids, burners and all fasteners
- 16,000 BTUH stainless steel burners
- Two 14" wheels and two total lock casters
- Ready to use: ships completely assembled on a skid
- Tank holder(s) on back of unit that hold 20 lb. propane tank(s)
- Storage shelf and angled legs for rock solid durability
- Includes water pans with drain ports to ease cleaning and help eliminate grease fires from occurring
- 16 ga stainless steel radiants that remain in place during transportation and cleaning
- c ETL us, ETL Sanitation listed, Conforms to ANSI Z83.11/CSA 1.8 and NSF Standard 4

More Standard Features

- Unibody design for lighter weight and added strength
- Stainless steel pilot burner tube system
- Two stage regulator(s) and hose(s) on LP models
- Single gas connection and a 10ft quick disconnect on NG models
- Factory technician tested prior to shipping
- 1 year parts and labor limited warranty
- Lifetime warranty on body and cooking grids and 10 years on burners

Options/Accessories

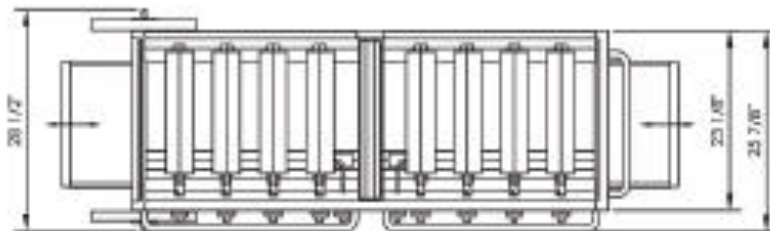
- | | |
|---------------------|---------------------|
| Roll Dome | Adjustable Bun Rack |
| Griddle Plate | Steam Pan Adapter |
| End Shelf | Front Shelf |
| Side Burner | Rotisserie |
| Wind Guard | Smoker Box |
| BBQ Cover | Charcoal Tray |
| Remote Propane Cart | Propane Tanks |

SPECIFICATIONS

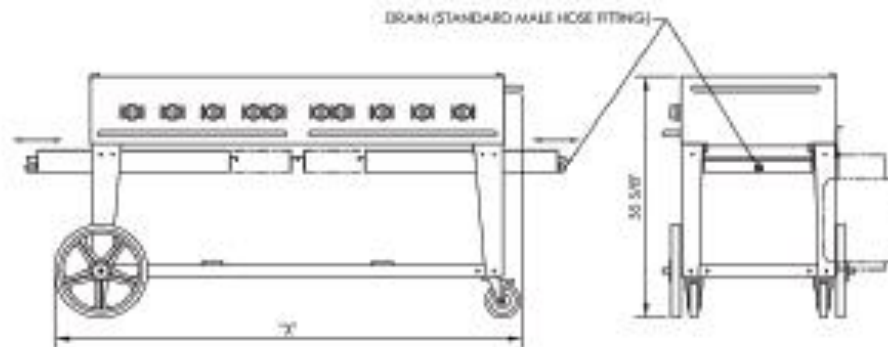


Model	MCB-30	MCB-36	MCB-48	MCB-60	MCB-72
Number of Burners	4	5	6	8	10
BTUH	64,500	79,500	99,000	129,000	159,000
Actual Weight (lbs)	127	145	176	215	255
Shipping Weight (lbs)	209	225	258	313	335
Gas Connections (LP)*	1	1	2	2	2
Cooking Surface	28" x 21"	34" x 21"	46" x 21"	58" x 21"	70" x 21"
Overall Dimensions	38" L x 28" D x 36" H	44" L x 28" D x 36" H	56" L x 28" D x 36" H	69" L x 28" D x 36" H	81" L x 28" D x 36" H

* All units are available in natural gas models (MCB-NG).





MCB	"X"
30	38"
36	44"
48	56"
60	69"
72	81"



Project:
19 WING COMOX
1 LABRADOR WAY
Lazo, BC V0R2K0

From:
RussellHendrix - Victoria
Andrew Stigant
2122 Douglas Street
Victoria , BC V9M 2J9
Cell (250)203-3438
1-800-807-0039 (Contact)

Prices Valid for 30 Days.

Item	Qty	Description	Sell	Sell Total
1	1 ea	CHARBROILER, GAS, OUTDOOR GRILL  Crown Verity Canada Model No. CV-MCB-48WGP-LP Mobile Outdoor Charbroiler, LP gas, 46" x 21" grill area, 7 burners, 304 stainless steel construction, stainless steel grill, radiants, lighter tube (pilot), water pan, includes 30" wind guards, hose & regulator, undershelf, legs with (2) 14" wheels & (2)	\$3,895.00	\$3,895.00
	1 ea	1 Year parts & labor warranty standard		
	1 ea	Limited lifetime warranty on the body and the cooking grates, with a 10 year burner warranty		
	1 ea	LP gas, standard		
	1 ea	CV-RFS-48 Removable front shelf, for MCB-48, BI-48, PZ-36	\$269.00	\$269.00
			ITEM TOTAL:	\$4,164.00
2	1 ea	FREIGHT  Custom Model No. FREIGHT Curbside delivery or general dock receiving between 8:00am and 5:00pm. Does not include removal of existing unit, uncrating, or set in place.	\$193.21	\$193.21
			ITEM TOTAL:	\$193.21
			Merchandise	\$4,357.21
			Freight	
			Tax 5%	\$217.86
			Total	\$4,575.07

CONDITIONS OF SALE:

The purchaser understands and acknowledges that title to the above items does not pass from Russell Hendrix Foodservice Equipment until full payment has been made and that a security interest in the items may be registered. The purchaser further acknowledges that in the event that full payment is not made in accordance with the payment terms, the seller may, at their option, act on these security interest and charge a service charge of 2% per month (24.0% per annum) on the outstanding balance. Invoices paid by credit card and valued at over \$4000 are subject to a 2.5% admin fee.

All stock (S) items may be returned within 30 days in their original packaging, unused and with the original invoice, for full credit and refund where applicable. Any stock item returned after 30 days is subject to a restocking charge of 25%. Items with suffix NS, CO and DM are not returnable. All customers must submit any claims for shortages or damage within 48 hours of signing for the shipment.

Equipment uncrating, set-in-place, installation, final connection and maintenance are the responsibility of the Purchaser unless specifically noted as being part of the order. Factory warranties require adherence to manufacturer's instruction manuals.

Russell Hendrix Foodservice Equipment is a division of Russell Food Equipment Limited.

Acceptance: _____ Date: _____

Printed Name: _____

Project Grand Total: \$4,575.07

MOBILE GRILLS

MCB-30, 36, 48, 60, 72

Project: _____

Item #: _____

Quantity: _____



Shown with optional Roll Dome

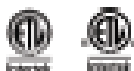
Our passion at Crown Verity is to bring the precision and performance of commercial kitchens to the outdoor environment. To that end we design and manufacture our grills to be reliable and go beyond traditional industry specifications.

Our grill bodies, legs, cooking grates, burners, under shelves, radiants, water pans, fasteners, pilot tubes are all 304 series stainless steel for durability and ease of cleaning. Compared to units made of metal or 430 stainless steel, our units are built to last.

16,000 BTUH stainless steel burners are placed every 6.76" to ensure the most even heat pattern possible. These units heat up to cooking temperature within 6 minutes. Our stainless steel burners and cooking grills carry a 10 year and lifetime warranty, respectively.

The MCB model is available as either liquid propane (LP) or natural gas (NG). All LP models include a two stage regulator(s) and hose(s) and a built-in tank holder(s) that accommodate standard 20 lb. propane tanks. Each model is also available with a single gas connection and 25' quick disconnect hose for use with remote tanks. All NG models come with a single gas connection and a 10' quick disconnect hose.

Certifications



SPECIFICATIONS

- Gas grill constructed of 304 stainless steel including grids, burners and all fasteners
- 16,000 BTUH stainless steel burners
- Two 14" wheels and two total lock casters
- Ready to use: ships completely assembled on a skid
- Tank holder(s) on back of unit that hold 20 lb. propane tank(s)
- Storage shelf and angled legs for rock solid durability
- Includes water pans with drain ports to ease cleaning and help eliminate grease fires from occurring
- 16 ga stainless steel radiants that remain in place during transportation and cleaning
- c ETL us, ETL Sanitation listed, Conforms to ANSI Z63.1 1/CSA 1.8 and NSF Standard 4

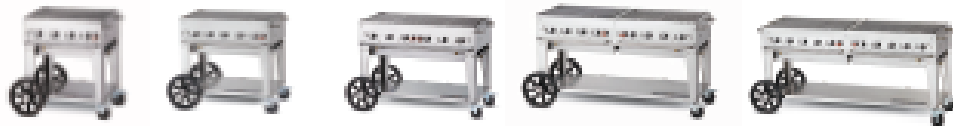
More Standard Features

- Unibody design for lighter weight and added strength
- Stainless steel pilot burner tube system
- Two stage regulator(s) and hose(s) on LP models
- Single gas connection and a 10ft quick disconnect on NG models
- Factory technician tested prior to shipping
- 1 year parts and labor limited warranty
- Lifetime warranty on body and cooking grids and 10 years on burners

Options/Accessories

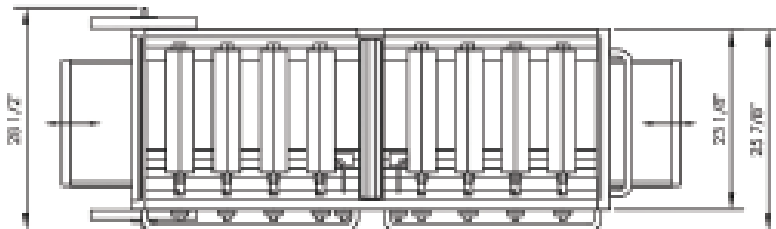
- | | |
|---------------------|---------------------|
| Roll Dome | Adjustable Bun Rack |
| Griddle Plate | Steam Pan Adapter |
| End Shelf | Front Shelf |
| Side Burner | Rotisserie |
| Wind Guard | Smoker Box |
| BBQ Cover | Charcoal Tray |
| Remote Propane Cart | Propane Tanks |

SPECIFICATIONS

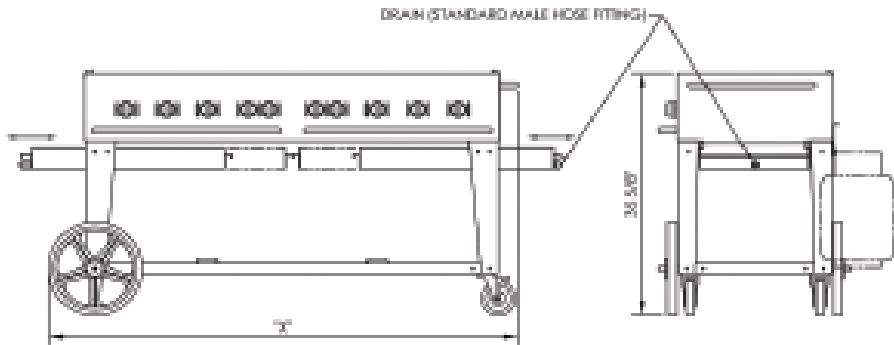


Model	MCB-30	MCB-36	MCB-48	MCB-60	MCB-72
Number of Burners	4	5	6	8	10
BTUH	64,500	79,500	99,000	129,000	159,000
Actual Weight (lbs)	127	143	176	215	253
Shipping Weight (lbs)	209	225	258	313	335
Gas Connections (LPG)*	1	1	2	2	2
Cooking Surface	28" x 21"	34" x 21"	46" x 21"	58" x 21"	70" x 21"
Overall Dimensions	38" L x 28" D x 36" H	44" L x 28" D x 36" H	56" L x 28" D x 36" H	69" L x 28" D x 36" H	81" L x 28" D x 36" H

* All units are available in natural gas models (MCB-NG).



MCB	"X"
30	38"
36	44"
48	56"
60	69"
72	81"



Annex D – Keelboat Report

1. All training boats are serviceable and fully available for BCC training beside minor repairs listed in para 5.
2. All keelboat have a new MOB flag with a new socks; Thanks to Mondeville's donation.
3. Keelboat booking calendar heavily used by BCC crew and trainer; coordinator Peter Bezuidenhout.
4. All keelboat fire extinguishers (6) replaced and/or recertified. CLOSED
5. Outstanding repairs:
 - W.S. VHF remote cable to replaced; TX from the remote handset is not working, broken pin;
 - W.S. door sliders to be sanded to improve removal of the Plexiglas's;
 - P.D. dodger's window replaced, to be re-installed;
 - P.D. Diesel heater to be service, no fuel feeding to the combustion chamber;
 - P.D. middle hatch door needs the hinges to be repair; Garry Crabtree volunteer;
 - P.D. fuel distribution lines still have a small diesel leak, hard to locate. More faultfinding required; and
 - AtheW gearbox, engine oil and batteries fluid level to be check.

***Due to the BCC heavy training schedule, some repairs will have to wait.

6. Against the Wind bottom paint due this year, planning for late June, early July.

Items for discussion:

- **Mooring at Henry Bay; location, cost and logistic TBD**
- **Foreshore, request purchase for a new cart \$392 + tax and shipping**
- **Open House: PCOC & ROC(M) exam challenge (RV for challenging exam by CPS Cape Lazo)**
- **Old/New BBQ disposal and acquisition and storage bin update**
- **Proposal to acquire a used inflatable (5yrs old) with outboard 2.5hp Yamaha for safety boat \$1,500**